



# 5100

## cubicle curtain track

for care institutions

**Durable curtain track with practical possibilities**

# 5100



## cubicle curtain track

for care institutions

### sustainable & practical

The Qurails 5100 cubicle curtain track can help in dividing a hospital ward into multiple, temporarily separated areas to guarantee the privacy of patients and caregivers. Qurails has more than 35 years of experience and would be glad to assist you in devising the optimal solution tailored to the requirements of your hospital, medical centre or nursing home. Our products design complies with NEN hygiene and safety standards and can help you reduce the cost of operation.

- Suitable for all partitioning curtains.
- Can be forward or reverse bent in different radii.
- Dust strip prevents the accumulation of dirt and simplifies cleaning.
- Suitable for mounting cubicle curtains in accordance with NEN1010.
- Silent and smooth running, also round bends.
- Suitable for incorporating the Load Release System.
- Wear-resistant, comfortable glide, safe, Load Release System, room-divider.



### Standard colours



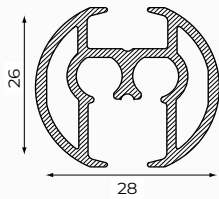
### Features

Material:	aluminium
Colour:	white, natural anodised, black
Dimensions:	26 x 28 mm
Weight profile:	522 gr/m
Mounting:	wall or ceiling

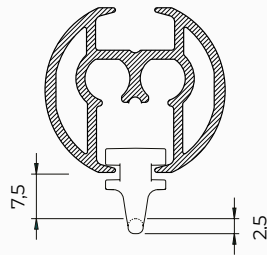
High quality, wear-resistant coating, highly colourfast, UV-resistant.  
Other RAL colours & special coatings on request.

## Profile/ gliderspecifications

### Aluminium profile:



### Glider:



### Colours with RAL code and lengths (m):

	RAL	4	5	6	7	7,5
white	9010		•	•	•	•
natural			•	•	•	•
black	9005			•		

### Mounting surface:

- wood
- masonry/concrete

### Bracket type:

- ceiling bracket
- wall bracket
- spacer bracket

### Bending:

bending radius	bending tool
R 15 cm	1015
R 25 cm	1015
R >100 cm	1018

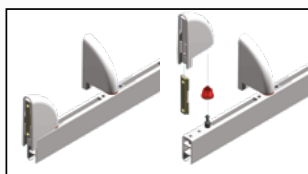
R 15 cm

R > 100 cm

## Load Release System

The Load Release System (LRS) ensures that the track detaches from the fixing points when subjected to brief peak loads. The track can subsequently be put back in place without having to use any tools.

The system components are designed in such a way that they can be combined with Qurails track 5100. For further information, see the LRS product data sheet.

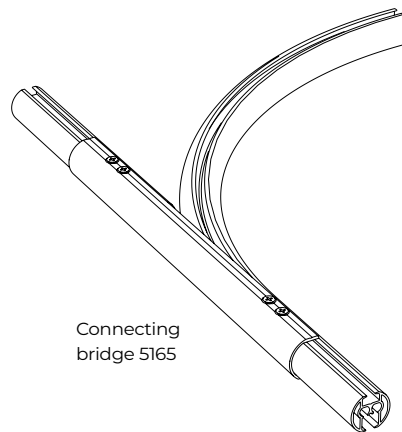


## Specification guide

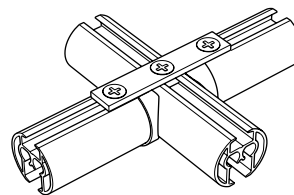
### Material

- Aluminium EN AW-6060-T66.
- Anodised in accordance with the Qualanod standard.
- Powder coated in accordance with the Qualicoat standard.

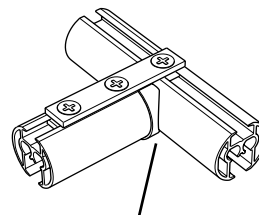
## Application example



Connecting bridge 5165



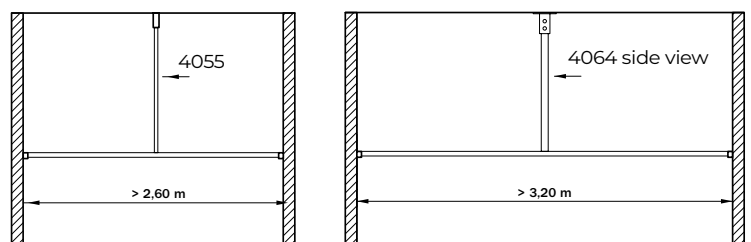
Connection bracket 5130



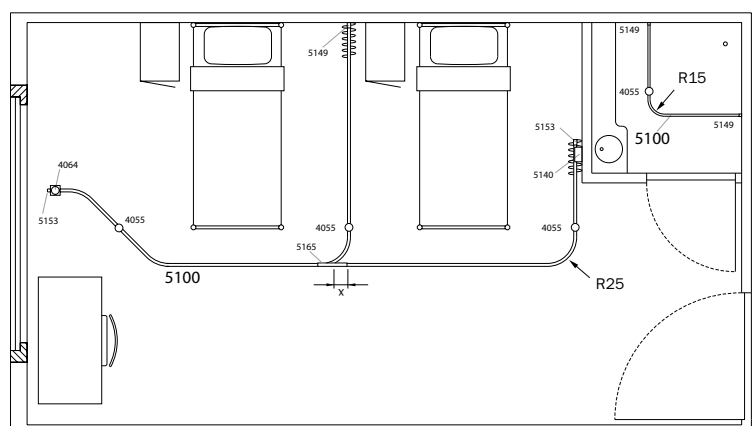
Connection bracket white 5130 as perpendicular connector

Hollow end cap 5153-20

This drawing illustrates under what conditions a hanger tube 4064 or V-hanger 4161 are applied, and under what conditions a suspension hanger suffices. Important for sideward stability.



Example of a room with 2 beds and a 5100 system. Also illustrating the use of a hanger tube where face mounting is impossible (due for example to window placement)



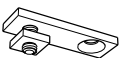
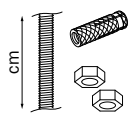





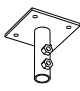




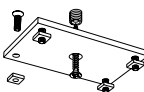
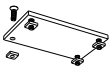
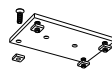
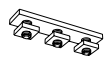
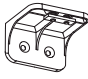


## Parts

### Curtain transport

-  4001-M-N  
end stop metal  
with eye natural
-  4001-M-N-60  
end stop metal  
with eye natural  
and RVS hook
-  4002  
end stop metal
-  4003  
spring stop plastic  
requires punch hole
-  4007  
rotating glider white/  
grey / black
-  4007-60  
rotating glider with  
ss hook white / grey /  
black
-  4007-LRS-10/20  
rotating glider LRS  
grey / rotating glider  
LRS red
-  4007-60-LRS-10/20  
rotating glider LRS with  
SS hook grey / rotating  
glider LRS with SS  
hook red
-  4007-70  
rotating glider with  
ring, white

### Mounting

-  5135  
ceiling bracket  
white / natural metallic  
/ black
-  4055-10  
threaded rod M6 with  
plug and 2x nut M6,  
0-100 cm / 101-200 cm
-  4055-30-10  
susp. hanger  
mounting set  
white / natural
-  4055-30-SYST-10  
susp. hanger mount.  
set susp. ceiling, white  
/ natural / black

-  4055-40  
susp. hanger tube  
1 side threaded  
50, 100, 150, 200  
cm, white / natural  
/ black
-  4064-10  
base plate  
white / natural  
metallic / black
-  4064-20  
extender white /  
natural metallic /  
black
-  4064-30-10  
fixing set white
-  4064-30/31-IS-10  
fixing set white  
isolated
-  4064-40  
hanger tube  
white / natural  
metallic / zwart  
75, 120, 150, 200 cm
-  5116-10  
bridging plate  
with center hole  
white / natural
-  5116-20  
bridging plate  
white / natural
-  5116-30  
bridging plate,  
for strut hanger  
white / natural /  
black
-  5130  
connecting bridge  
white /  
natural metallic /  
black
-  5140  
wall bracket  
white / grey / black
-  4254  
mini suspension  
hanger 3cm  
white / natural /  
black
-  5149  
wall bracket  
white / grey / black

### Accessoires

-  5153  
end cap  
white / grey
-  5153-20  
end cap hollow  
white / grey
-  5152-20  
connecting  
bridge natural
-  4159-A  
threaded insert  
without foot  
white
-  4181  
infusion hook  
30, 50 cm
-  4145-050  
dust cover  
reel white / grey /  
black
-  5165  
connecting bridge  
white / natural / black
-  1420-555/564  
ceiling rose white  
for tube  
ø 15, 22 mm
-  4170  
curtain holdback  
with fixing plate  
white / natural
-  4170-ISO  
curtain holdback nat.  
fixing plate, isolated  
white / natural
-  4170-M  
curtain holdback,  
magnetic fixing,  
white

**WARNING**  
**MAGNETIC FIELD.**  
Can be harmful to pacemaker  
wearers.

Technical specifications are subject to change  
without prior notice.

**Qurails**<sup>®</sup>  
Open a new experience