



# Panel curtain systems

manual, cord and electric  
for light and medium weight curtains

---

---

**Smooth design for interiors**

# Panel curtain systems



## manual, cord and electric

for light and medium weight curtains

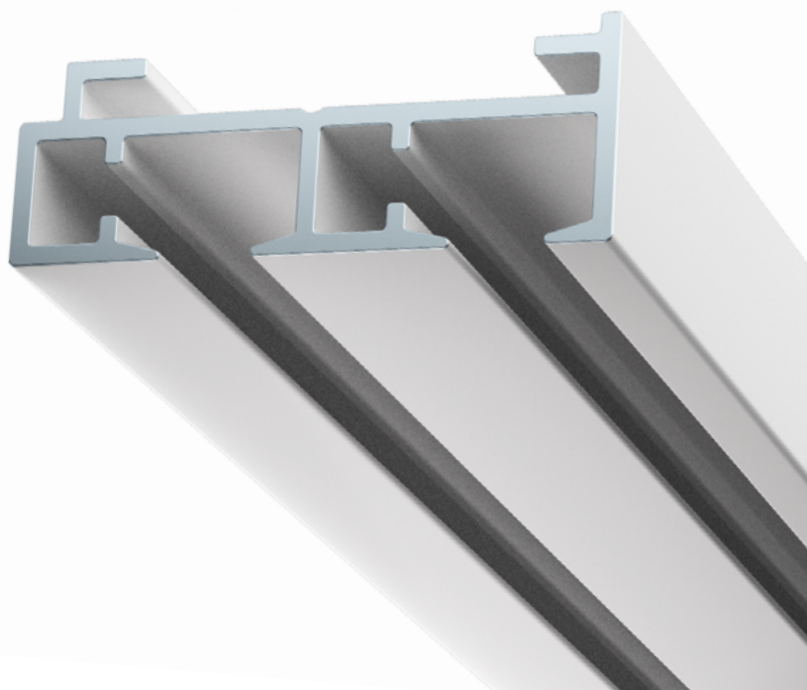
### Smooth design for interiors

Roller panels are a wonderful alternative to standard curtains. The flat panels do full justice to all textile designs and they save space. Moreover, loose panels can selectively shield views and sunlight. Aside from their application as window treatment, panels are regularly used to create partitions, "sliding doors" or wall decorations.

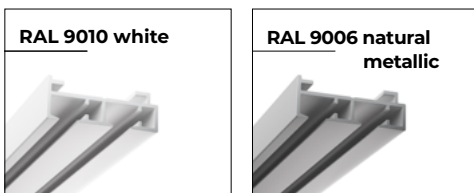
All roller panel systems in the 7300 series have the same options regarding their finishes and operating methods, but they are distinguished by the number of channels they contain.

Panels can be installed as either a single or a split stack. By choosing a split stack, the profile with three channels, for example, will provide up to six panels meeting in the centre, depending on application.

A roller panel system can be used with both linked and unlinked panels. The panels can be operated with a draw rod, with a cord or electrically.



#### Standard colors



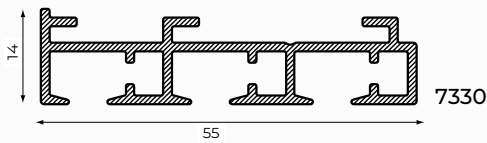
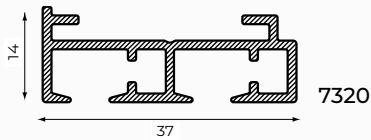
High quality, wear-resistant coating, highly colourfast, UV-resistant. Other RAL colours & special coatings on request.

#### Features

Material:	aluminium
Colour:	wit, natural metallic
Dimensions 7320:	14 x 37 mm
Weight profile:	378 gr/m
Dimensions 7330:	14 x 55 mm
Weight profile:	539 gr/m
Mounting:	wall or ceiling

## Profilespecifications

### Aluminium profile:



### Colours with RAL code and lengths(m):

	RAL	4	5	6	7
white	9010			•	
natural metallic	9006			•	

### Mounting surface:

- wood
- masonry/concrete

### Bracket type:

- ceiling bracket
- spacer bracket

## Accessories

Sliding Velcro profile 7301-N (148 gr/m) or 7301-W (143 gr/m). 2 - 3 rollers 7304 or gliders 7310 per panel. Bottom weight profile 7490-203R (165 gr/m) or 7490-206R (318 gr/m).

### Hand operated systems:

*Linked panels:* end stop 4002, single angle 7302, double angle 7303 and universal end cap 7353-UNI.

*Loose panels:* universal end cap 7353-UNI.

### Cord operated systems:

end stop 4002, single angle 7302, double angle 7303, pilot runner 7374, cord 1210-3.5 and cord guide set 7353-2 / 7353-3

### Electrically operated systems:

Ask for the possibilities.

## Specification guide

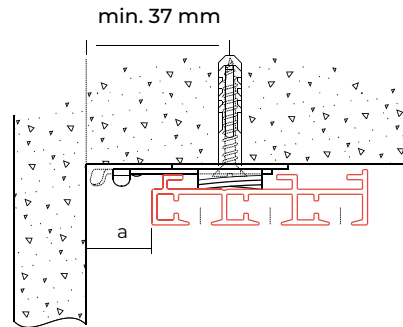
### Material

- Aluminium EN AW-6060-T66.
- Powder coated in accordance with the Qualicoat standard.

## Mounting

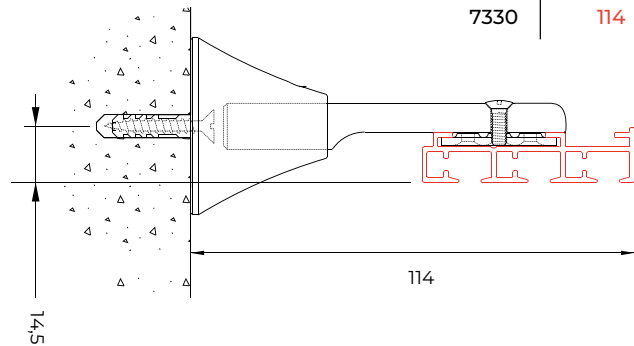
### 7320 / 7330 mounted with 7350:

To allow rotation of the fixing clamps a minimum clearance of 17 mm (B) must be provided between the rail and the wall. The distance of A needs to be a minimal of 37 mm in this case.



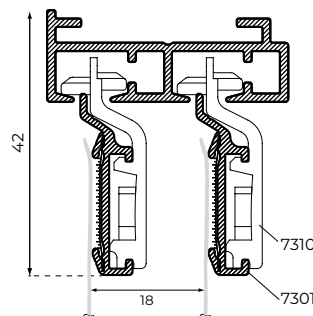
Mounting with extension bracket 7317

	7317-092	7317-152
7320	111	161
7330	114	174



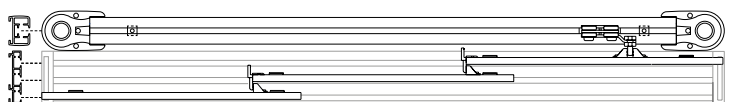
### Gliderspecifications:

Distance between ceiling and bottom sliding velcro profile 7301-N (42 mm) and between sliding velcro profile (18 mm).



## Combination product example

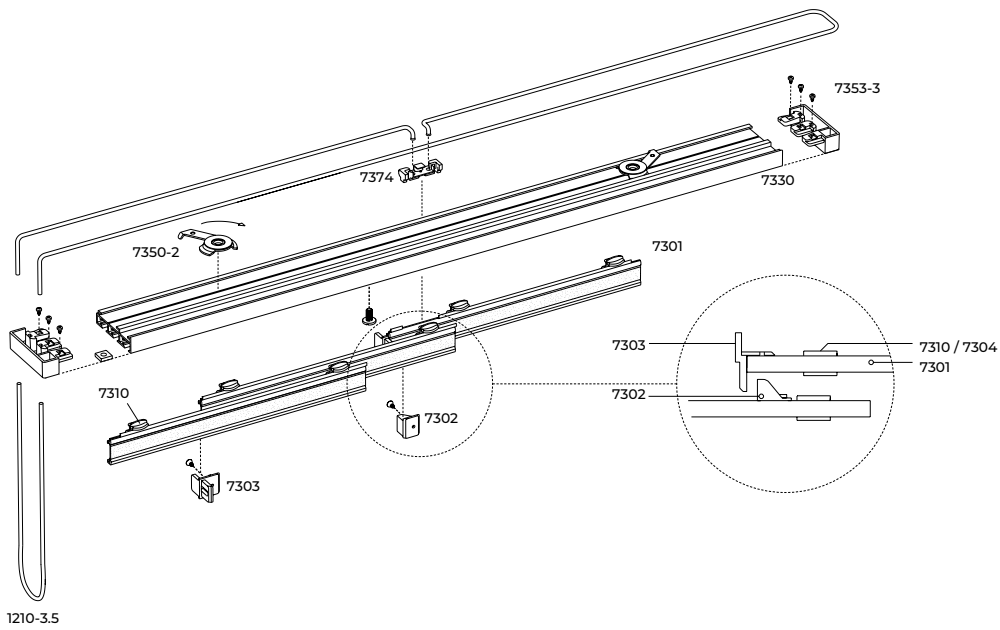
7330 + 6200 for electrical operation





# Exploded view

Cord-operated



## Product example

Panel positioning	2-track	3-track
single stack		
split stack		

With a split stack arrangement, the lead panels must run in different channels to achieve an overlap.



## Components



### Paneltransport



4002  
end stop without eye  
natural



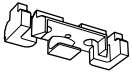
7302  
single angle  
white / grey



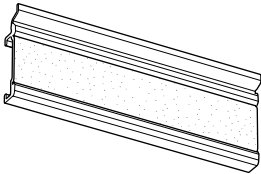
7303  
double angle  
white / grey



7310  
panel glider white

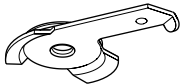


7374  
pilot runner  
white



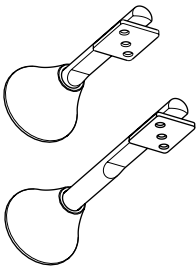
7301  
sliding velcro profile  
white / natural anodised

### Ceiling mounting



7350-2  
fixing clamp incl. washer  
natural

### Wall mounting



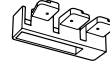
7317-092  
extension bracket, 9 cm  
white / natural metallic

7317-152  
extension bracket, 15 cm  
white / natural metallic

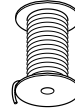
### Cordguide



7353-2  
pulley set 7320  
white / grey



7353-3  
pulley set 7330  
white / grey

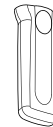


1210-3.5  
control cord white / black

### Accessories



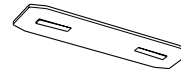
1201  
cord tensioner



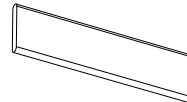
1203-13  
cord weight  
white / grey / black



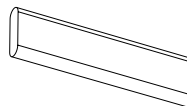
1220  
1220 draw rod  
aluminium 100, 125, 150, 200  
or 300 cm white / natural  
metallic / black



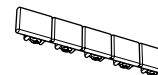
7352  
connection bridge



7490-203R  
counter weight  
natural anodised white



7490-206R  
counter weight  
naturel anodised white



7353-UNI  
universal end cap  
white / grey

Technical specifications are subject to  
change without prior notice.