

# DECLARATION OF CONFORMITY

This declaration of conformity is issued under the sole responsibility of the manufacturer

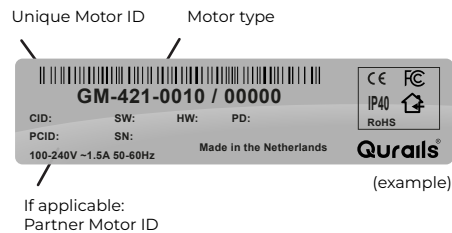
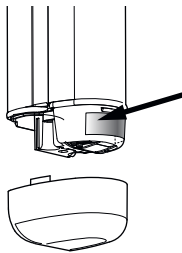
## Manufacturer:

Company name:	Qurails B.V.
Full address:	Lorentzstraat 11
Postal Code:	6716 AD
Place:	Ede
Country:	The Netherlands

## Product:

Product name:	G-Motion
Model number:	GM-4xx-xx1x, GM-6xx-xx1x, GM-1xx-xx1x
Product category:	Household appliances

## Serial/ID numbers:



## Product description:

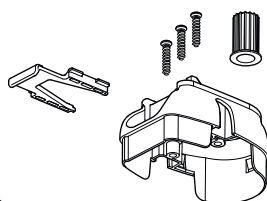
Qurails G-Motion is an electrical curtain rail motor designed to automate the Qurails 6200, 6500 and 6700 curtain rail systems, enabling automatic movement of the curtains. The system can be customized according to customer requirements, offering a choice of three different motor types and three additional add-on modules, as well as the option of either 24VDC or 100-230VAC power sources. The 100-230VAC models come with a built-in 24VDC power supply. Other than that, the 100-230VAC motors are identical to the 24VDC versions. The G-Motion system can be controlled using traditional dry contact signals, as well as through IR and RF control options. It can also be connected to a Sun/Dawn sensor. The Curtain Control Module (CCM), which serves as the electronic core of the product (highlighted in yellow), is included by default in every system. The RF module (highlighted in green) is an optional add-on that allows the system to receive RF signals from a remote control, enabling remote operation. Please note that the RF module is not included by default in the G-Motion system. While the G-Motion system can be used with a single motor, for simultaneous control of multiple motors, the RS485 module (highlighted in orange) must be used to facilitate communication between motors/systems. The RS485 module is not included by default in the G-Motion system. Additionally, the 100-230V switching device (highlighted in blue) is a separate add-on that can be integrated with the G-Motion motors to enable traditional 100-230VAC potential-powered switching control. Multiple add-ons can be incorporated either simultaneously or separately, but this process should be performed exclusively by Qurails B.V. or authorized companies.

# Origin of the product

The G-Motion Motors are developed, designed, assembled and tested in The Netherlands.

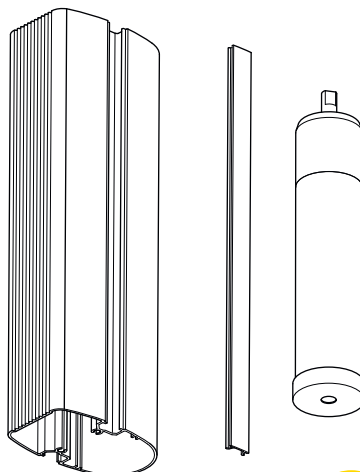
### Casing

1. aluminium extrusion (alu 6060)
2. plastic parts (POM)



### Power supply options

1. 24VDC
2. 100-230VAC continuously
3. 230VAC fase switching
4. 110VAC fase switching

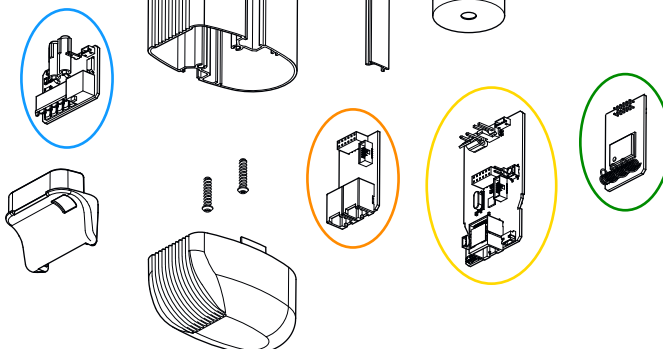


### 3 different motors available

1. GM4 = 1 Nm
2. GM6 = 1.5 Nm
3. GM1 = 3 Nm

### PCBA'S

1. Standard curtain controller module
2. RF receiver Add-on
3. G-Bus Add-on
4. Fase switching module Add-on



This declaration is in conformity with the relevant Union harmonization legislation.

- Electrical Equipment (Safety) Regulations 2016
- Electromagnetic Compatibility Regulations 2016
- Radio Equipment Regulations 2017
- UK REACH Regulation 2021
- The Waste Electrical and Electronic Equipment Regulations 2013
- The Restriction of the Use of Certain Hazardous Substances in Electrical and Electronic Equipment Regulations 2012

Compliance is assessed with:

Hardware version: v4.4.1  
Software version: v1.2.16

Signature:

Name: Frank Poelmann  
Function: Managing Director

UKCA Mark was first affixed in 2020

Place: Ede  
The Netherlands  
Date: June 2021

**Qurails**<sup>®</sup>  
Open a new experience