

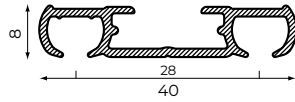
2901



mounting

profile

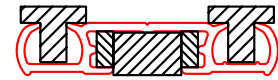
2901
274 gr/m



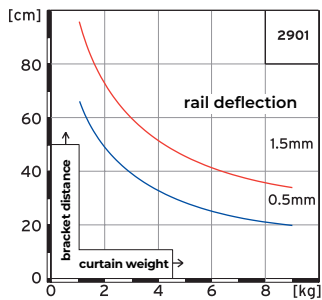
bending

radius cm
R 20 (1015)
R 25 (1015)
R >150 (1018)

filler position



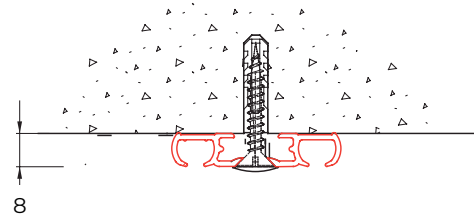
G-Norm



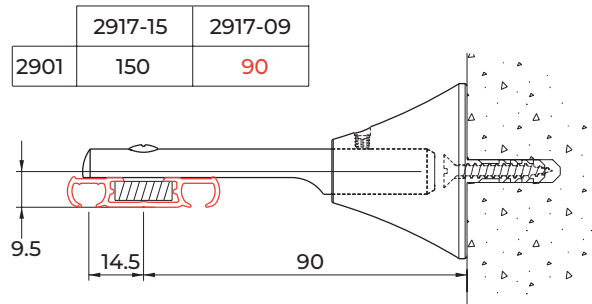
Bracket distance according to G-Standard or table below:

	light	medium	heavy	(curtain fabric)
2901	70	50	40	

ceiling mounting of pre-drilled 2901 with 2914-WD screw with white cover cap



wall mounting 2901 with wall bracket 2917-09



Application example

Standard distribution of gliders in the 2900-series channels, for example to create overlap in the multi-channel profiles. Average drill hole distances.

