

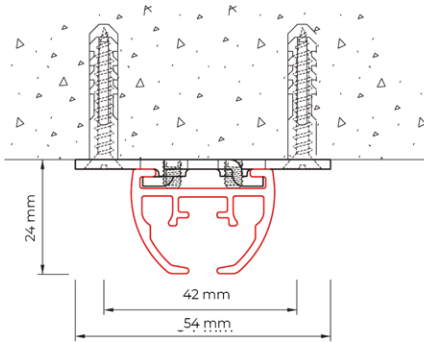
5600



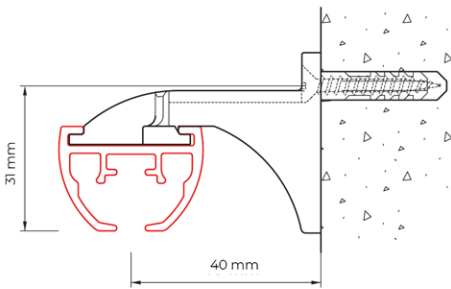
mounting

arch bending

Minimal radius: 150 cm.
 Arch bending: on request
 Advised: choose a split stacked system, closing at the top.
 When opening the curtain, a single stack can behave uncontrollably, once a critical weight of the stack has passed the top of the arched system.



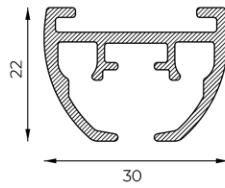
ceiling mounting with ceiling bracket 6055-1000



wall mounting with wall support 6051

profile

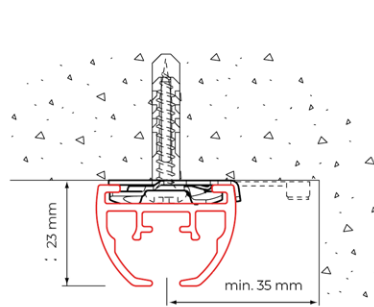
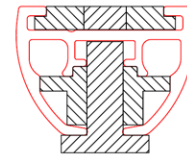
5600 Cord operated
 492 gr/m



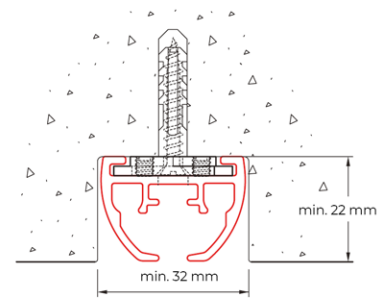
bending

radius cm
 R 15 (1015)
 R 20 (1015)
 R 25 (1015)
 R >100 (1018)

filler position

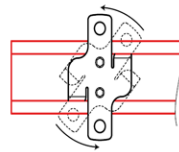


ceiling mounting with ceiling mounting clamp 6050

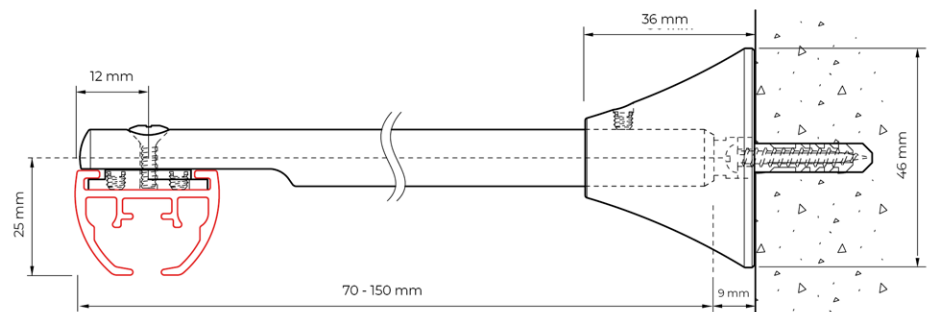


recessed mounting to or in ceiling with bracket 6055-2000

- when mounting in ceiling, take into account the wider pulleys
- curved systems: bend profile first then use as template for the rebate
- pre-drilling of profile by Qurails



mounting: rotate and secure



wall mounting with extension bracket 6017, can be cut from 15 to 7 cm

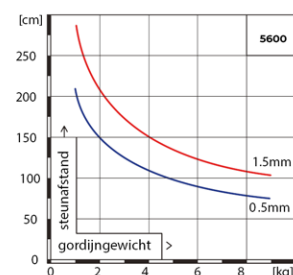
Table cord operated

required pulling force by hand, in kg

| curtain weight in kg | 0 | 10 | 20 | 30 | 40 | 50 | 60 | 70 | 80 |
|-----------------------|-----|-----|-----|-----|-----|-----|-----|-----|----|
| straight | 1 | 3 | 4 | 5 | 6 | 7 | 8 | 9 | 10 |
| 1 curve | | | | | | | | | |
| in straight part | 1,3 | 3,4 | 4,4 | 5,4 | 6,4 | 7,4 | 8,4 | 9,4 | - |
| in curve | 2,5 | 3,7 | 5 | 6 | 7 | 8 | 9 | 10 | - |
| 2 curves ⁿ | | | | | | | | | |
| in straight part | 1,5 | 3,7 | 4,5 | 5,5 | 6,5 | 7,8 | 9 | - | - |
| in curve | 4,7 | 5,6 | 6,3 | 7,2 | 8,1 | 9 | 10 | - | - |

Recommended pulling force for operation with 1 hand: up to 6 kg.
 Estimate around 10 kg deduction per curve for the curtain weight.

G-Norm





load table

(max. curtain weight in kg)

| curves | glider | 5600 |
|----------|------------------|----------|
| | | tot 12 m |
| straight | 4010, 4020, 4030 | 40 |
| | 6010 | 20 |
| 1 curve | 4010, 4020, 4030 | 30 |
| | 6010 | 15 |
| 2 curves | 4010, 4020, 4030 | 20 |
| | 6010 | 10 |

Exploded view

