

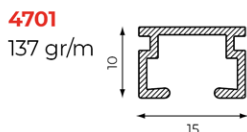
4701



mounting

ceiling, wall & blind

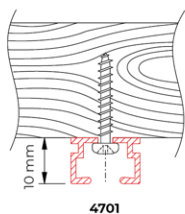
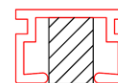
profile



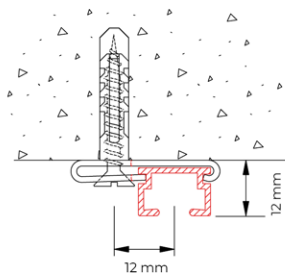
bending

radius cm
R 10 (1012)
R 10 (1015)
R >80 (1018)

filler position

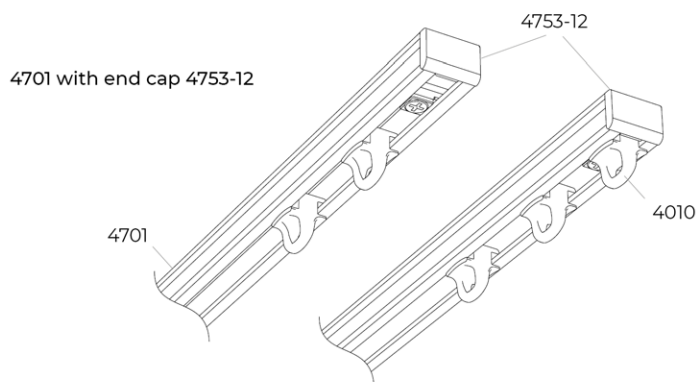


Mounting of punched profiles from the 4700-series with phillips screw 2314



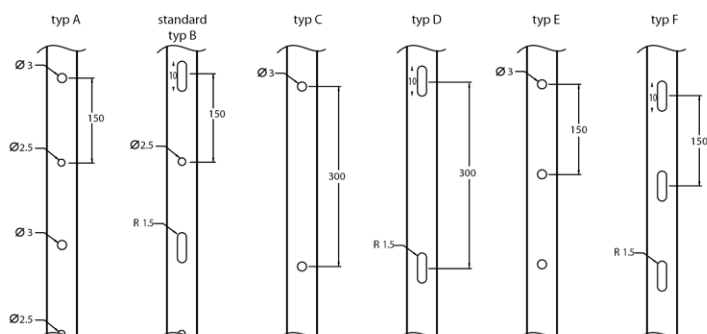
Mounting of the 4701 with ceiling bracket 4750 and a standard wood screw

Application example



Application of the 4753-12, a product with two functions: only as end cap or as end cap and end stop (applied here to the 4701)
An end cap is also available for the more rounded 4700.

Punch types



Load table

load table with deflection (mm)

| railtype and puch centres (cm) | load (kg) | | | | |
|--------------------------------|-----------|------|------|------|------|
| | 2 | 4 | 6 | 8 | |
| 4700 | 15 | 0.05 | 0.1 | 0.15 | 0.20 |
| | 30 | 0.1 | 0.2 | 0.45 | 0.65 |
| 4701 | 15 | 0.05 | 0.15 | 0.20 | 0.30 |
| | 30 | 0.1 | 0.25 | 0.35 | 0.45 |