

4400



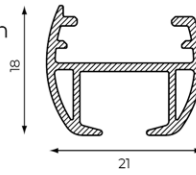
mounting

ceiling, wall

profile

4400

229 gr/m



bending

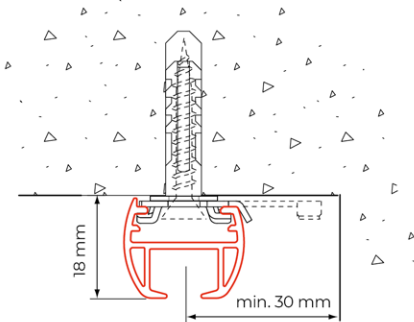
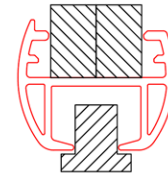
radius cm

R 15 (1015)

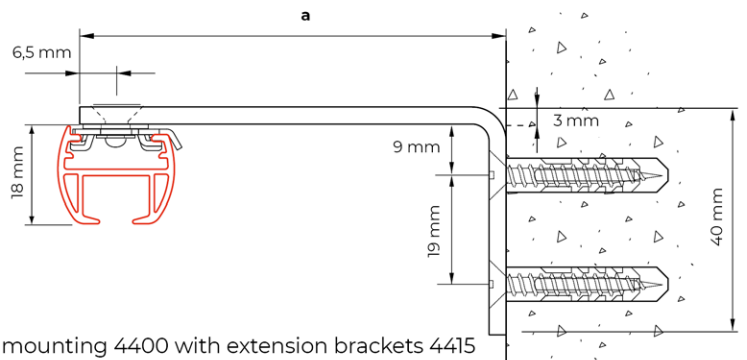
R 10 possible

R > 80 (1018)

filler position

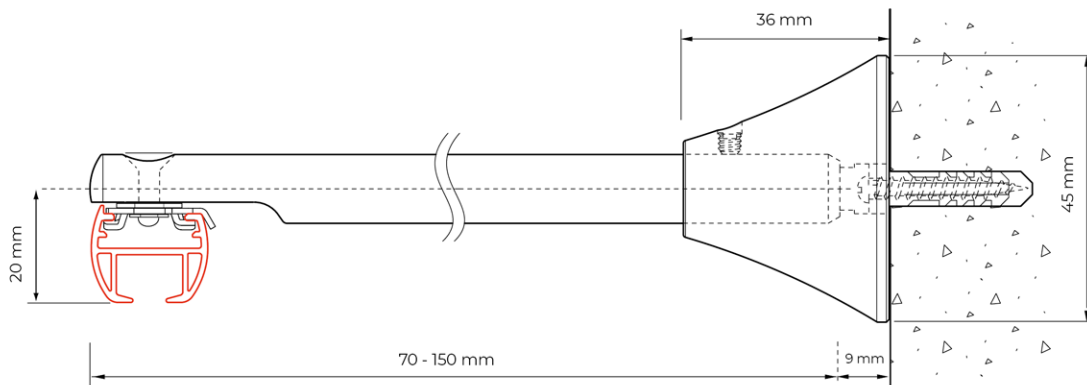


ceiling mounting of the 4400 with ceiling mounting clamp 4450, incl. ring (leave a space of at least 30 mm to



wall mounting 4400 with extension brackets 4415

in mm	a
4415-05	50
4415-07,5	75
4415-10	100
4415-15	150



wall mounting 4400 with trimmable extension bracket 4417