

6200E

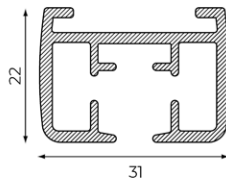


mounting

ceiling, wall & blind

profile

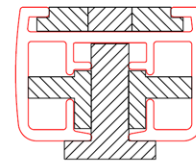
6200 Electric
567 gr/m



bending

radius cm
R 20 (1015)
R 30 (1015)
R 40 (1015)
R 50 (1015)
R >100 (1018)

filler position



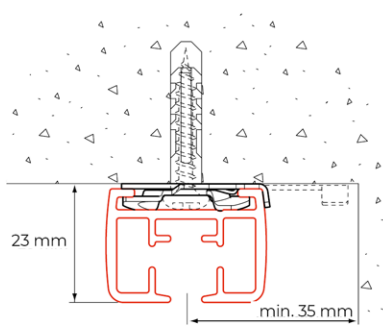
arch bending

Minimal radius: 150 cm.

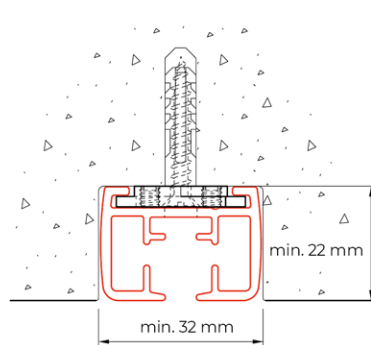
Arch bending: on request

Advised: choose a split stacked system, closing at the top.

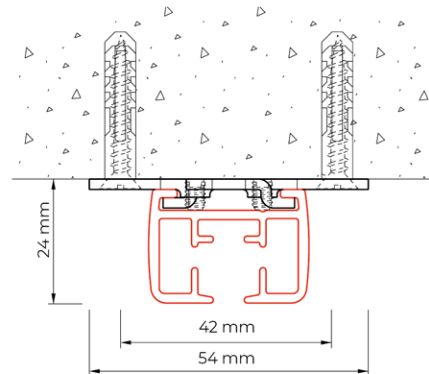
When opening the curtain, a single stack can behave uncontrollably, once a critical weight of the stack has passed the top of the arched system.



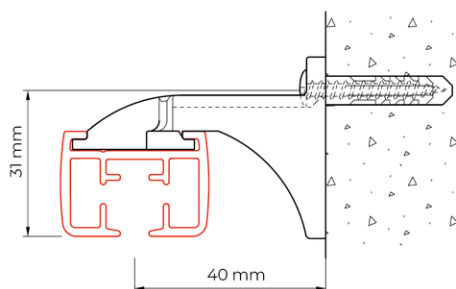
ceiling mounting with ceiling mounting clamp 6050: leave space to accommodate rotation of ceiling mounting clamp



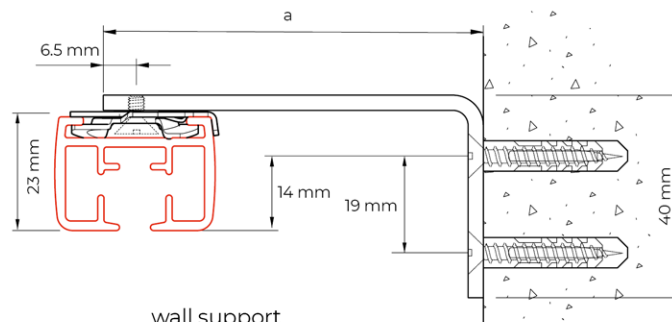
recessed mounting to or in ceiling with bracket 6055-3100-N-040
- when mounting in ceiling, take into account the wider pulleys
- curved systems: bend profile first then use as template for the rebate
- pre-drilling of profile by Qurails



ceiling mounting with ceiling bracket 6055-1000

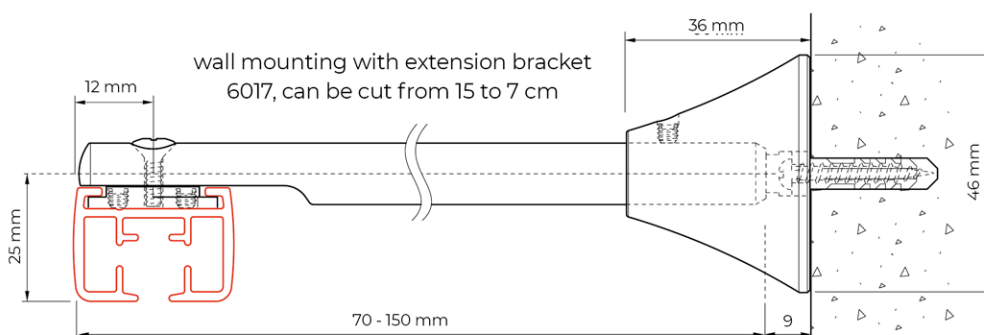


wall mounting with wall support 6051

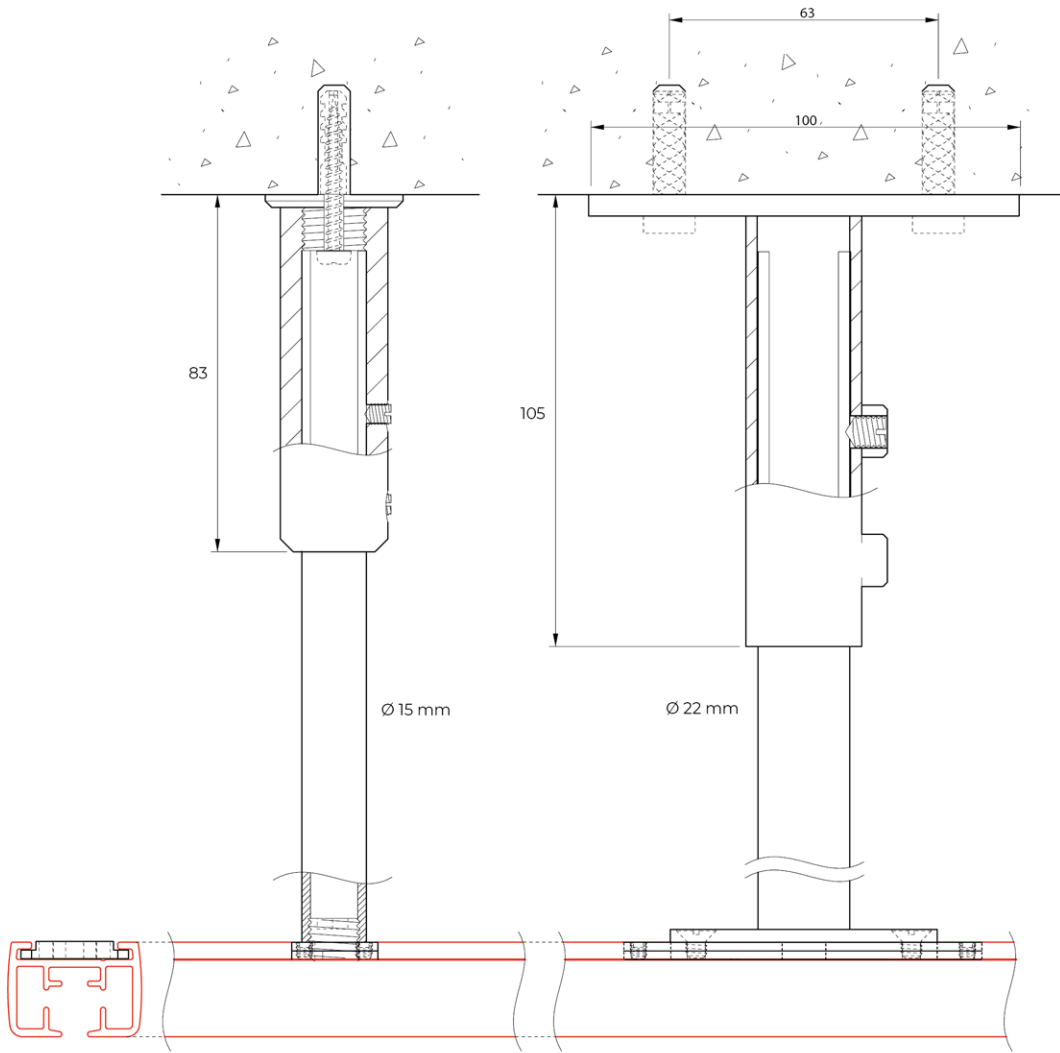


wall support with wall brackets 6015

support code	a
6015-05	50
6015-07.5	75
6015-10	100



wall mounting with extension bracket 6017, can be cut from 15 to 7 cm

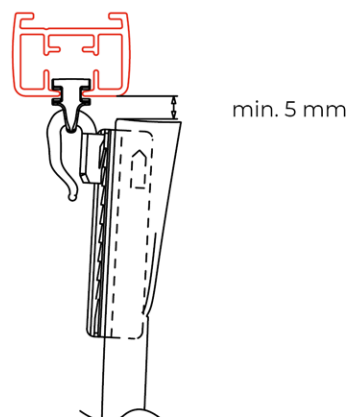
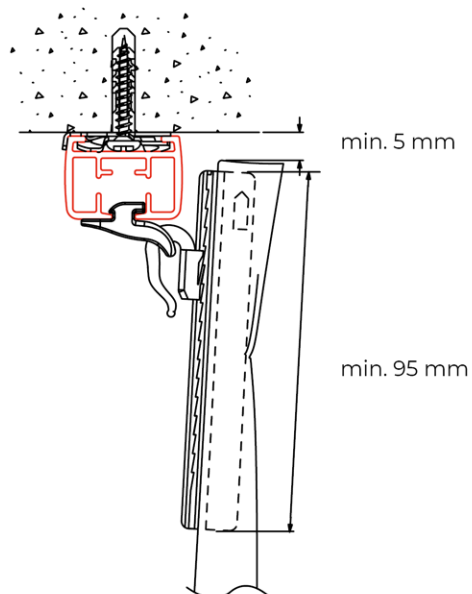


ceiling mounting 6200 with suspension hanger 4055 and mounting set 4055-30-20 (ceiling side: excluding screws and plugs)

max. load capacity of construction when perpendicular to its mounting: 30 kg (depending on quality of mounting on the ceiling side)

ceiling mounting 6200 with strut hanger 4064 and mounting set 4064-30-20 (ceiling side: excluding screws and plugs)

max. load capacity of construction when perpendicular to its mounting: 60kg (depending on quality of mounting on the ceiling side)



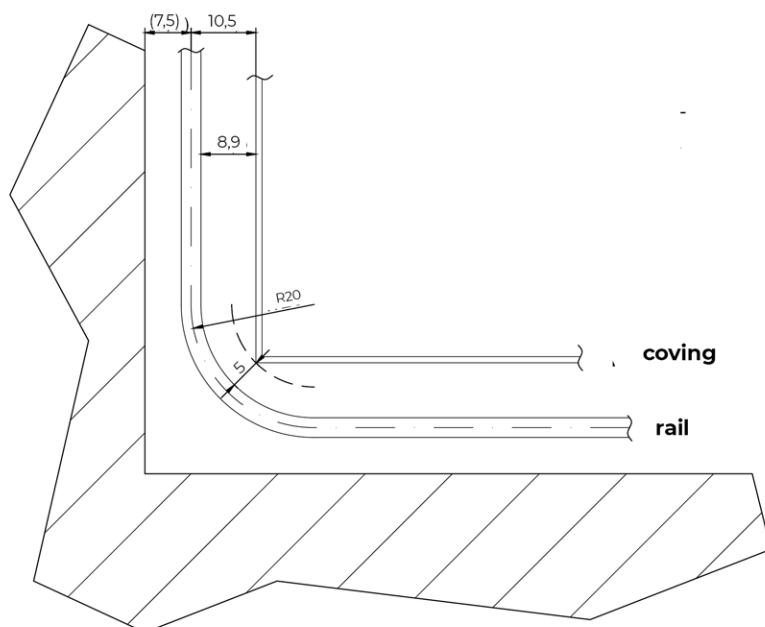
Product example

space for curves in coving

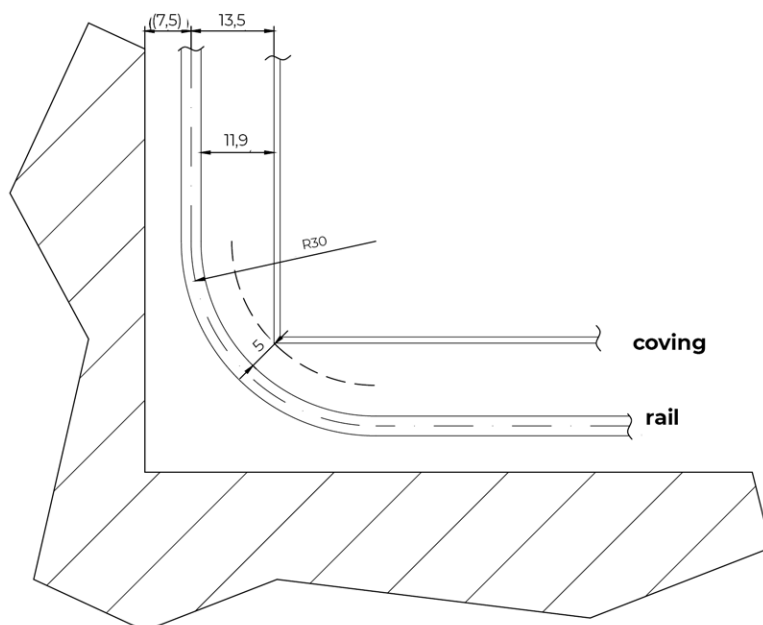
For example:

When working with a curve with a 20 cm radius, the required distance between the front of the rail and the inside of the coving is 8.9 cm (or 10.5 cm to the heart of the rail), in order to leave space for curtain folds in the inner corner of the coving.

R20



R30



- allowing 5 cm of space for the fold in the corner
- top view with 6200
- 7.5 cm from wall to heart of the rail is an example



Load table

maximum curtain weight per motor type :		6060-1.0 6060-1.0-CPS 20W 1Nm	6260-1030 6060-1.5-CPS		Tandem		6060-3.0 145W 3,0Nm	Tandem	
			6260T-1030	6260T-1030	6260T-1030	6260T-1030		6062T-3.0	6062T-3.0
Curvature	Glider	< 10 m / 33 ft	< 12 m / 39 ft	< 12 m / 39 ft	< 18 m / 59 ft	< 24 m / 79 ft		< 30 m / 98 ft	
						single	split	single	split
Straight	4010, 4020, 4030	40 kg / 88 lbs	60 kg / 132 lbs	100 kg / 220 lbs	80 kg / 176 lbs	80 kg / 176 lbs	100 kg / 220 lbs	100 kg / 220 lbs	180 kg / 396 lbs
	6010		40 kg / 88 lbs	60 kg / 132 lbs	-	-	-	-	-
1 curve or multiple curves ≤ 90° in total	4010, 4020, 4030	30 kg / 66 lbs	50 kg / 110 lbs	90 kg / 198 lbs	70 kg / 154 lbs	70 kg / 154 lbs	90 kg / 198 lbs	90 kg / 198 lbs	170 kg / 374 lbs
	6010		30 kg / 66 lbs	50 kg / 110 lbs	-	-	-	-	-
2 curves 90° - 180° in total or large curve/oval	4010, 4020, 4030	20 kg / 44 lbs	40 kg / 88 lbs	80 kg / 176 lbs	60 kg / 132 lbs	60 kg / 132 lbs	80 kg / 176 lbs	80 kg / 176 lbs	160 kg / 352 lbs
	6010		20 kg / 44 lbs	40 kg / 88 lbs	-	-	-	-	-
Motor-UP		yes	yes	yes	yes	no	no	no	no

About Heavy Duty motor units:

During installation and setting the pilot carriers travel limits, the carriers should NOT be stopped by the mechanical limit stops in the profile. Use electronic setting of end positions. Due to the strength of the Heavy Duty motor units, blocking the carriers could seriously damage the system.

CPS - Curtain Protection system

Some motor unit types are available with CPS.

These motor units will activate upon the curtains being pulled manually, provided there is an electrical power source.

CPS is not compatible with tandem systems.

CPS is also active when linked to home domotics.

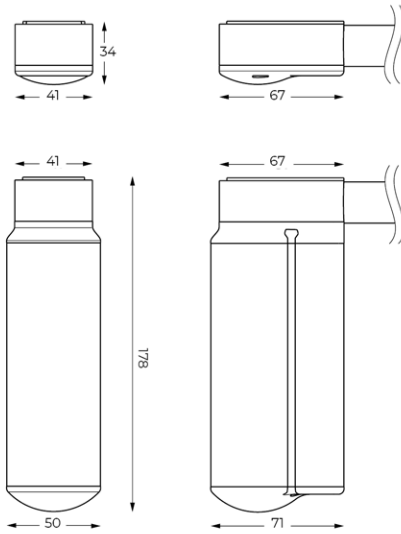
Please refer to the table above for CPS availability per motor unit type.



Motor unit dimensions

also valid for CPS versions

6060-1.0

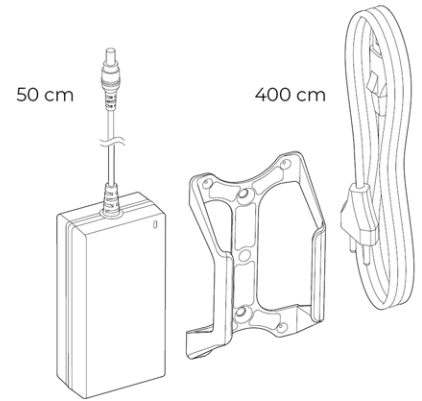
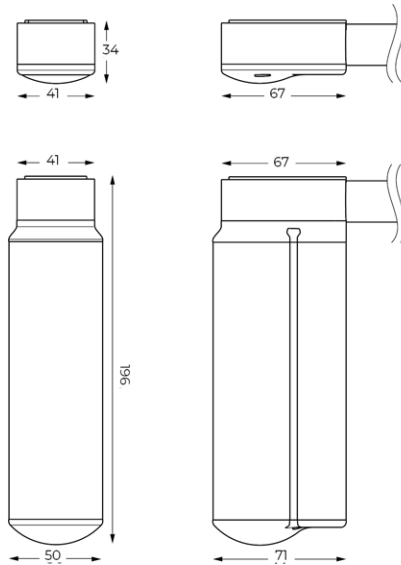


matching power supplies,
with cord lengths



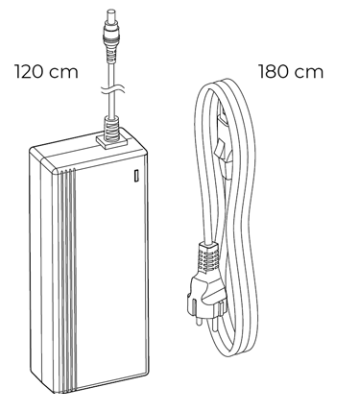
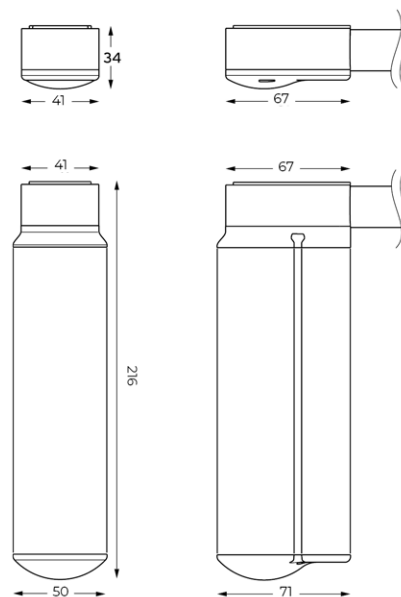
6330-1000

**6260-1030
6060-1.5
6260T-1030**



6030-1.5

**6060-3.0
6062T-3.0**

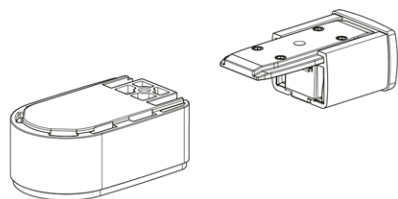


6030-3.0



Compact pulley and intermediate pulley

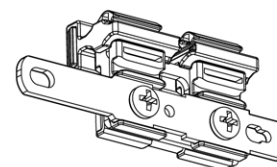
compact pulley in pulley set 6272-1000



Set consisting of a motor pulley and a compact end pulley. The end pulley consists of a strengthened synthetic rail connector, a strengthened synthetic interior and an aluminium profile.

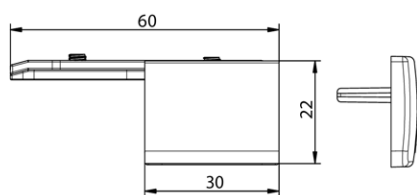
Placing the default end cap 6253 is optional.

Applicable with (recommendation):
see Load Capacity Table (page 7), under 6060-1.0



6275-3010

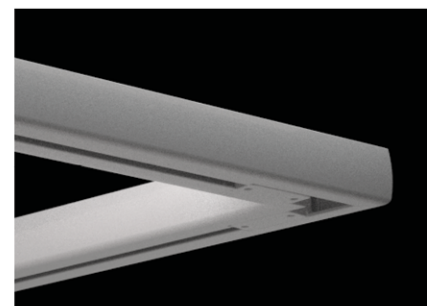
dimensions



side view of the end pulley and also shown end cap 6253.
(measures in mm)

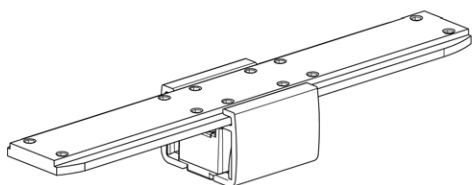


Example of an end pulley with default end cap 6253.



Special: optically non-interrupted rail in a corner.

compact intermediate pulley 6272-2000

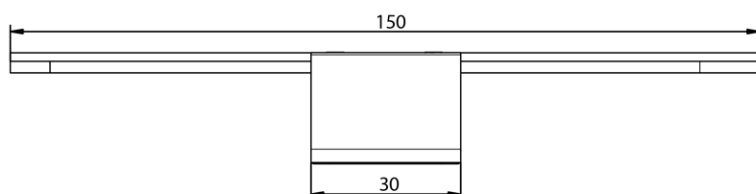


Compact intermediate pulley with steel bridge to be fitted inside a 6200 profile. The intermediate pulley consists of a strengthened synthetic interior and an aluminium profile.

A virtually invisible intermediate pulley that creates an optically non-interrupted rail.

Applicable with:
Electric systems with asymmetric stacks that can be controlled individually. See Load Capacity Table (page 7), under 6060-1.0. Regarding Load on both sides: each side of the pulley can be seen as an individual system.

dimensions

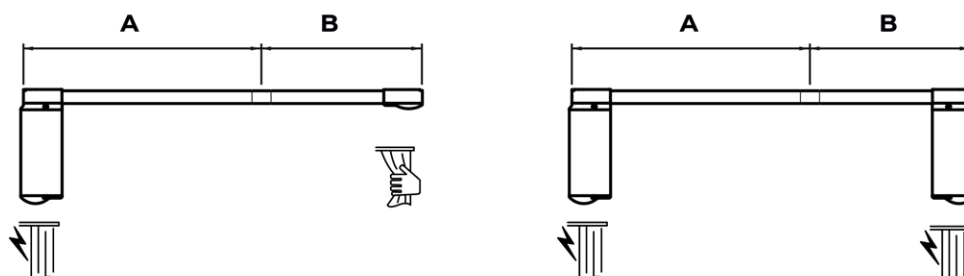


example



Application example of centre pulley 6272-2000

The rail is optically non-interrupted while still enabling the individual control of two curtain stacks of different lengths. It is also possible to control one stack manually and the other electrically.



Feature table



	6060-1.0 6060-1.5/6062T-1.5 6060-3.0/6062T-3.0
Standard functions	
Soft launching speed	•
Soft docking speed	•
Intermediate positions (adjustable)	5 (IR, RS232)
Electric end position (adjustable)	•
Timer (IR)	•
Green mode (low energy mode)	on request
Programmable functions	
Programming with IR remote control	•
Programming with RF remote control	•
Programming with external 2 NO dry contacts	•
Programming with buttons at underside of the motor unit	•
LED indicators	•
Reversible open and close directions	•
Adjustable speed (customer software)	•
Adjustable power (customer software)	•
Control options	
Infrared (IR)	•
Radio frequency (RF)	•
Smartphone / tablet	•
2 NO dry contacts (standard)	•
Dry contacts individual, group and master control	•
Alarm control (high speed)	•
RS232 (standard)	•
CAN-bus (standard)	•
Dawn and dusk sensor	•
Timer control (external)	•
Hotel Motion Sensor	•
Showroom auto timer	•
Manual operation (PRS)	•
Installation	
Motor-up	•
Ceiling fixing	2 options
Wall fixing	3 options
Suspended fixing	2 options
Recessed fixing	1 options
Assembly types	
Single stack	•
Split stack	•
Additional stacking positions	•
Asymmetrical stack	•
Curtain types (refer to load tables)	
Standard curtain (with and without overlap)	•
Curtain with heading (with and without overlap)	•
Swing (with and without overlap)	•
Flow (with and without overlap)	•

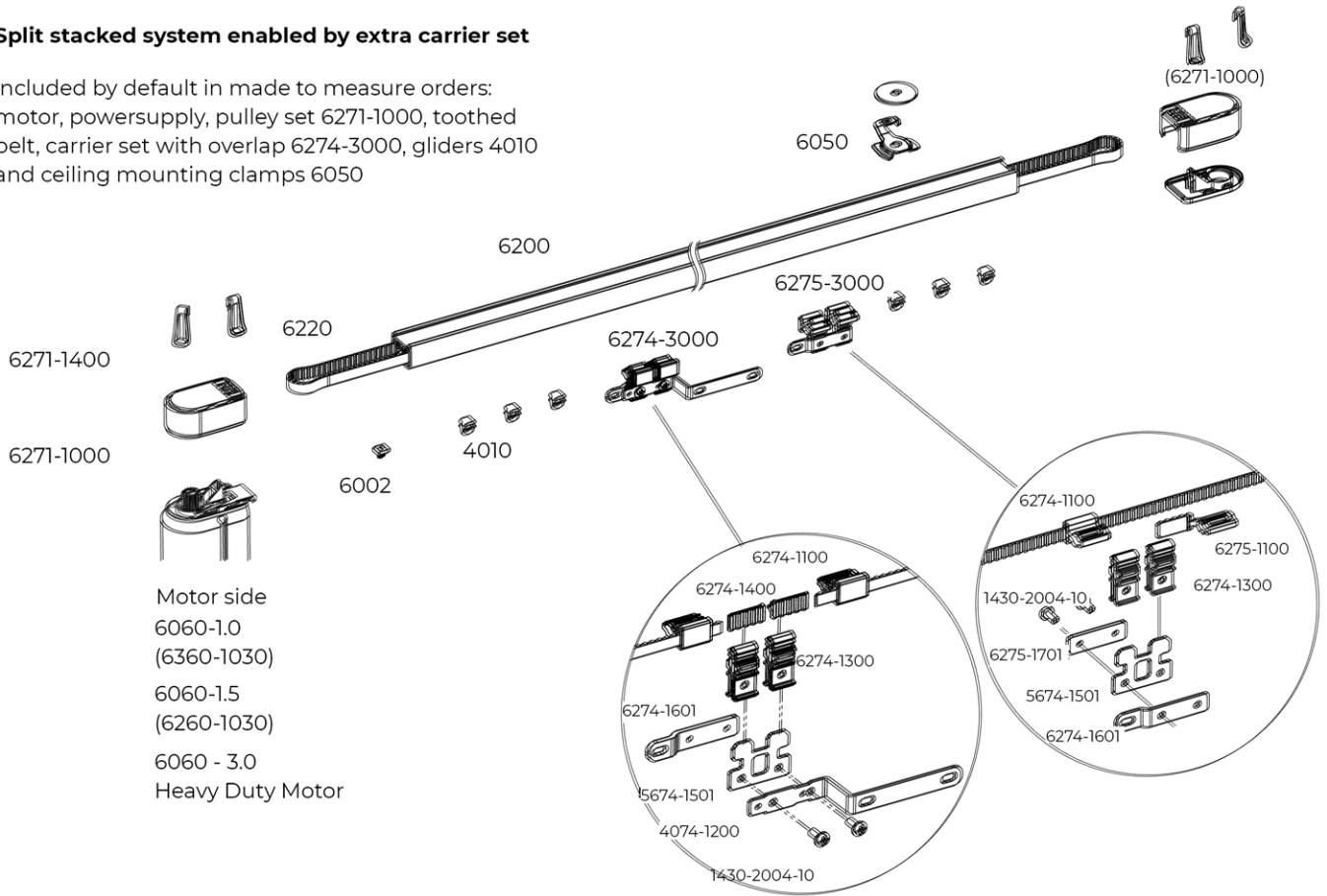
Technical specifications	6060-3.0/6062T-3.0	6060-1.5/6062T-1.5	6060-1.0
Max. curtain weight	100 kg / 180 kg	60 kg / 100 kg	40 kg
Max. system length	30 m	18 m	10 m
Bending radius	20, 30, 40, 50, >100 cm	20, 30, 40, 50, >100 cm	20, 30, 40, 50, >100 cm
Shape types	special curves optional	special curves optional	max. 2 90° curves
Colours	white, natural metallic, black	white, natural metallic, black	white, natural metallic, black
Voltage	24 VDC	24 VDC	24 VDC
Power	140 W	43 W	20 W
Speed	20 cm/s (electrically operated)	15 cm/s	13 cm/s
Noise level	< 56 dB(A)	< 40 dB(A)	< 50 dB(A)
IP code	IP 40		
Operating temperature	10 °C - 80 °C		



exploded views

Split stacked system enabled by extra carrier set

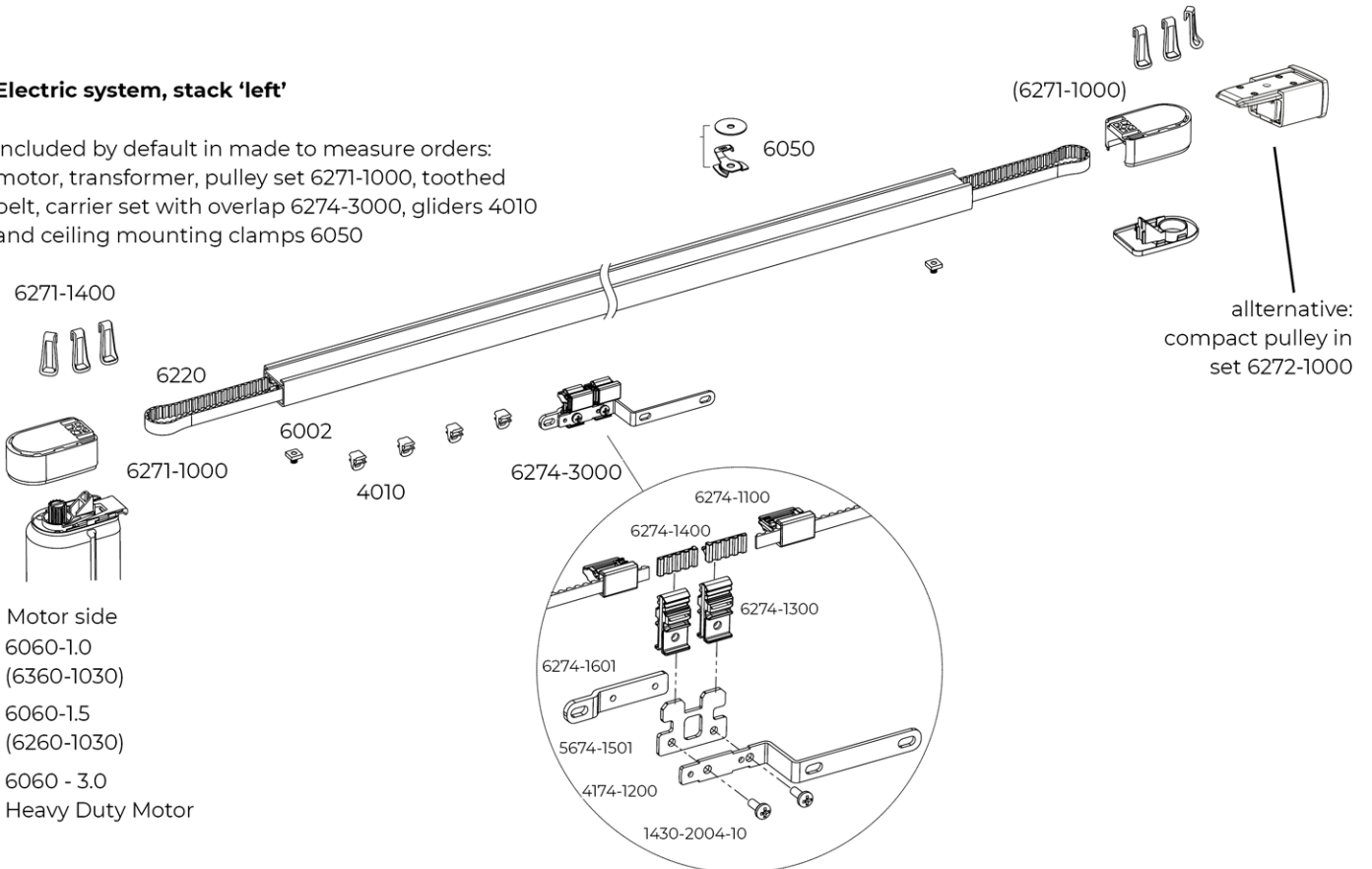
included by default in made to measure orders:
motor, powersupply, pulley set 6271-1000, toothed
belt, carrier set with overlap 6274-3000, gliders 4010
and ceiling mounting clamps 6050



Motor side
6060-1.0
(6360-1030)
6060-1.5
(6260-1030)
6060 - 3.0
Heavy Duty Motor

Electric system, stack 'left'

included by default in made to measure orders:
motor, transformer, pulley set 6271-1000, toothed
belt, carrier set with overlap 6274-3000, gliders 4010
and ceiling mounting clamps 6050



Motor side
6060-1.0
(6360-1030)
6060-1.5
(6260-1030)
6060 - 3.0
Heavy Duty Motor



exploded views

Electric system as 'Tandem'

included by default in made to measure orders:
Motors, transformers, pulley set 6271-1000, toothed belt, carrier set with overlap 6274-3000, gliders 4010 and ceiling mounting clamps 6050

